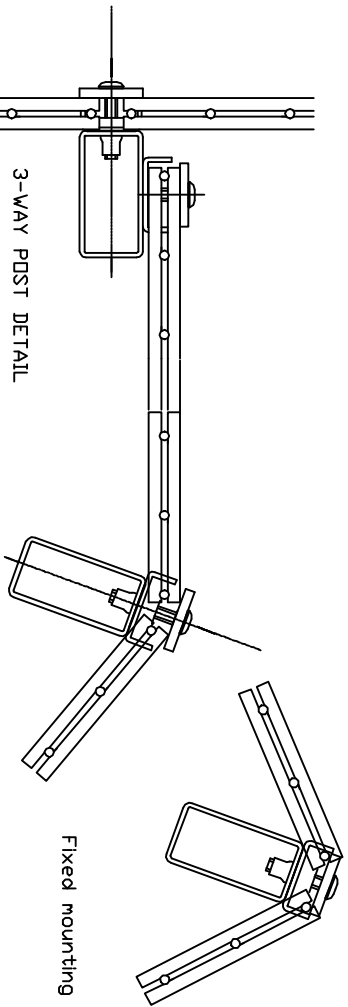
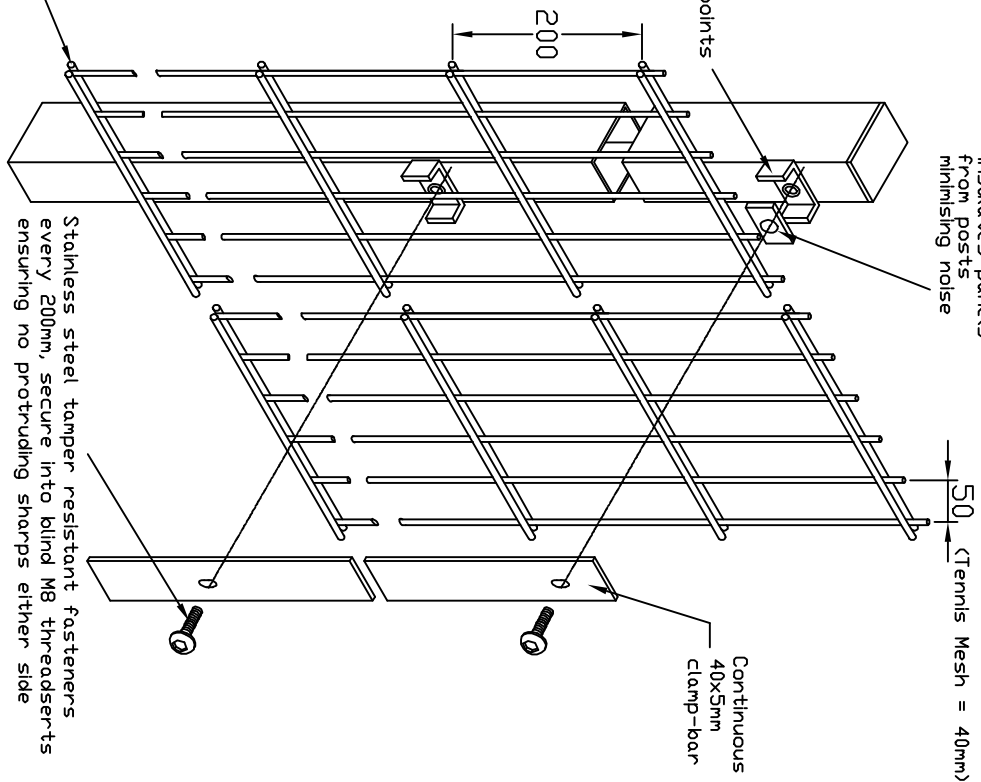
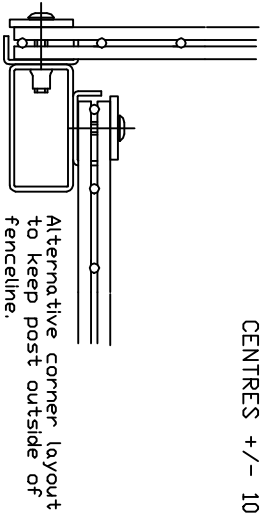
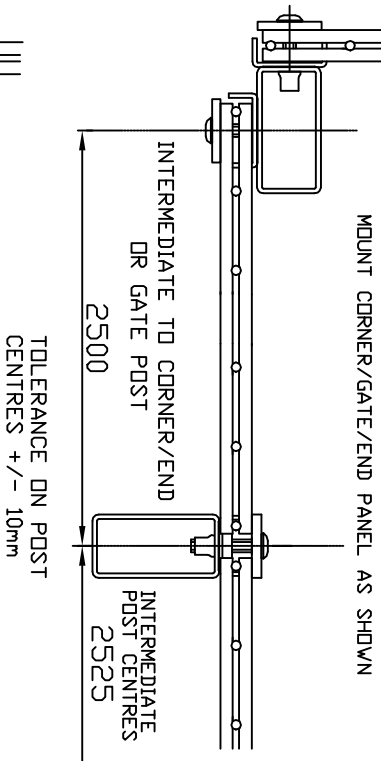


# DUO SPORTS SPECIFICATION

use square washers (in lieu of clamp-bars) for acute angles



## PLAN DETAIL OF CORNERS



Each horizontal row consisting of two 8mm (Duo8) or 6mm (Duo6) wires, resistance welded at every intersection to 6mm verticals

Panels galvanised after welding to ensure maximum weld strength and corrosion resistance

©Zaun Limited 2004

Customer		Drawing No.	
Project / Site		www.zaun.co.uk	
Duo Sports Specification Fencing		Revision: ORG	
Date	9/6/04	Drawn By	CR
Zaun Limited Windsor Industrial Estate Robert Street Birmingham B7 4NR Tel: 0121 248 0777 Fax: 0121 248 0778		Finish	