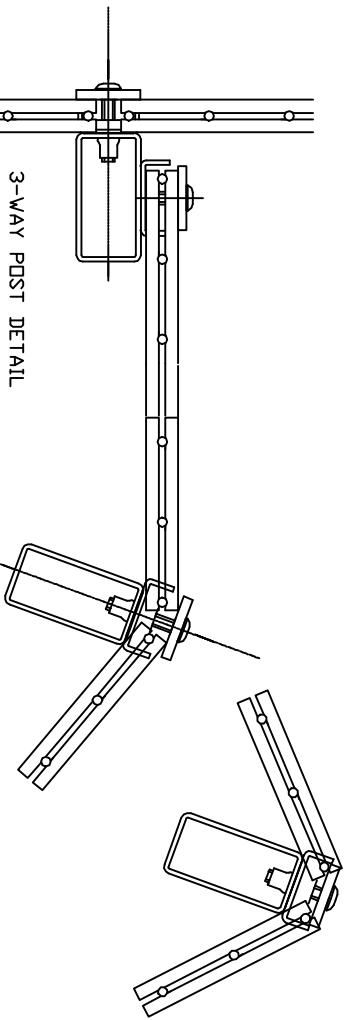


DUO PERIMETER

use square washers (in lieu of clamp-bars) for acute angles

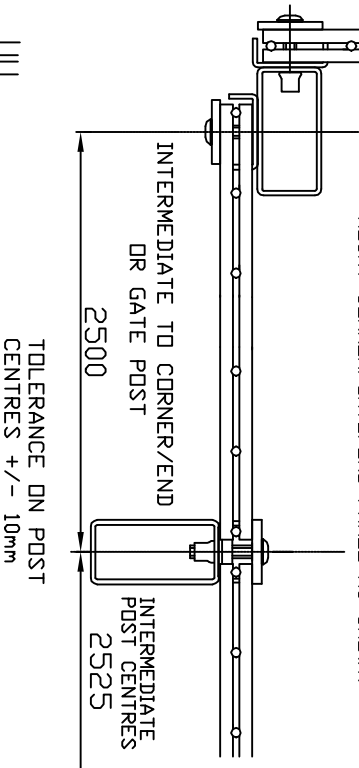


3-WAY POST DETAIL

CHANGES IN DIRECTION UPTO 40°

PLAN DETAIL OF CORNERS

MOUNT CORNER/GATE/END PANEL AS SHOWN

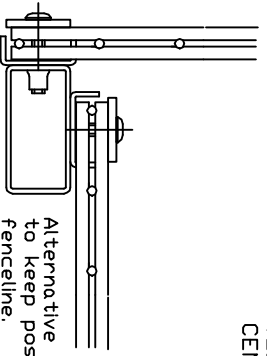


INTERMEDIATE TO CORNER/END OR GATE POST

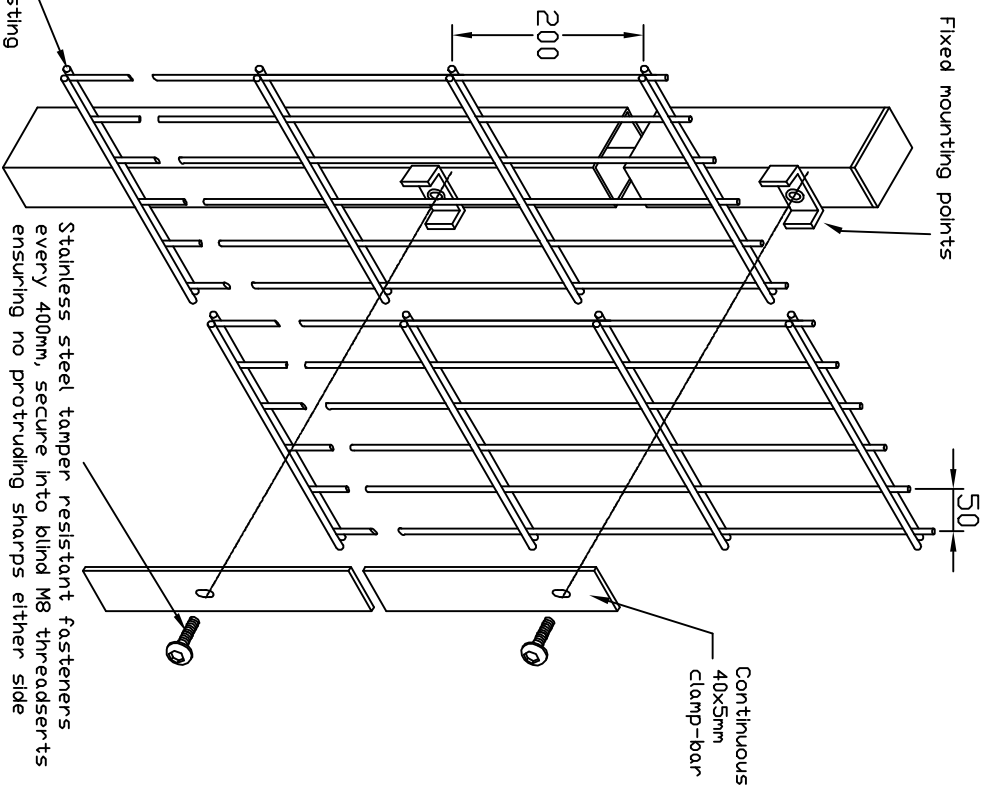
2500

INTERMEDIATE POST CENTRES 2525

TOLERANCE ON POST CENTRES +/- 10mm



Alternative corner layout to keep post outside of fence-line.




Each horizontal row consisting of two 8mm (DU08) or 6mm (DU06) wires, resistance welded at every intersection to 6mm verticals

Stainless steel tamper resistant fasteners every 400mm, secure into blind M8 threaders ensuring no protruding sharps either side

Panels galvanised after welding to ensure maximum weld strength and corrosion resistance

© Zaun Limited 2004

Customer	www.zaun.co.uk		Drawing No.
Project / Site	Duo Perimeter Fencing		Revision: ORG
 <p>Zaun Limited Windsor Industrial Estate Roper Street B7 4PS Tel: 0121 248 0777 Fax: 0121 248 0778</p>	Date	9/6/04	Drawn By
	Finish		PP