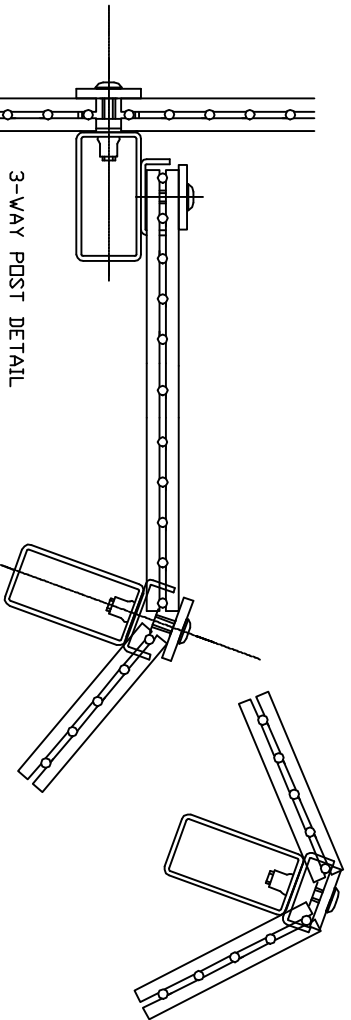
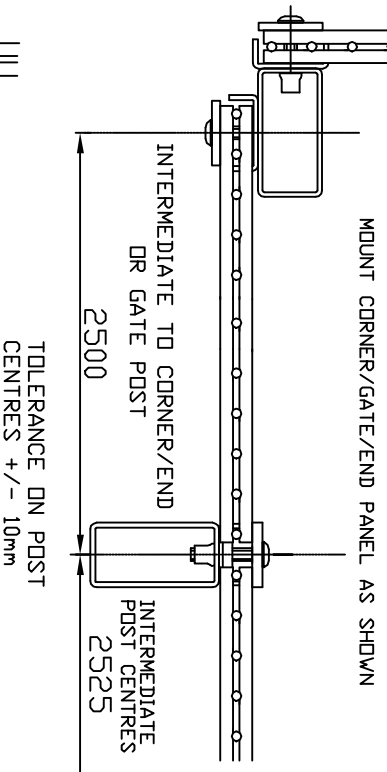


DUAL GUARD

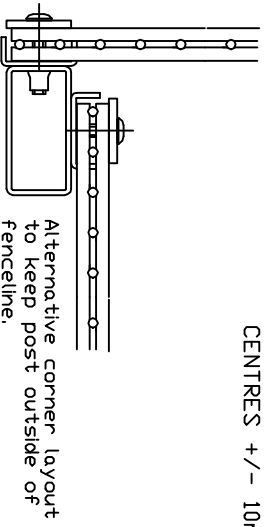
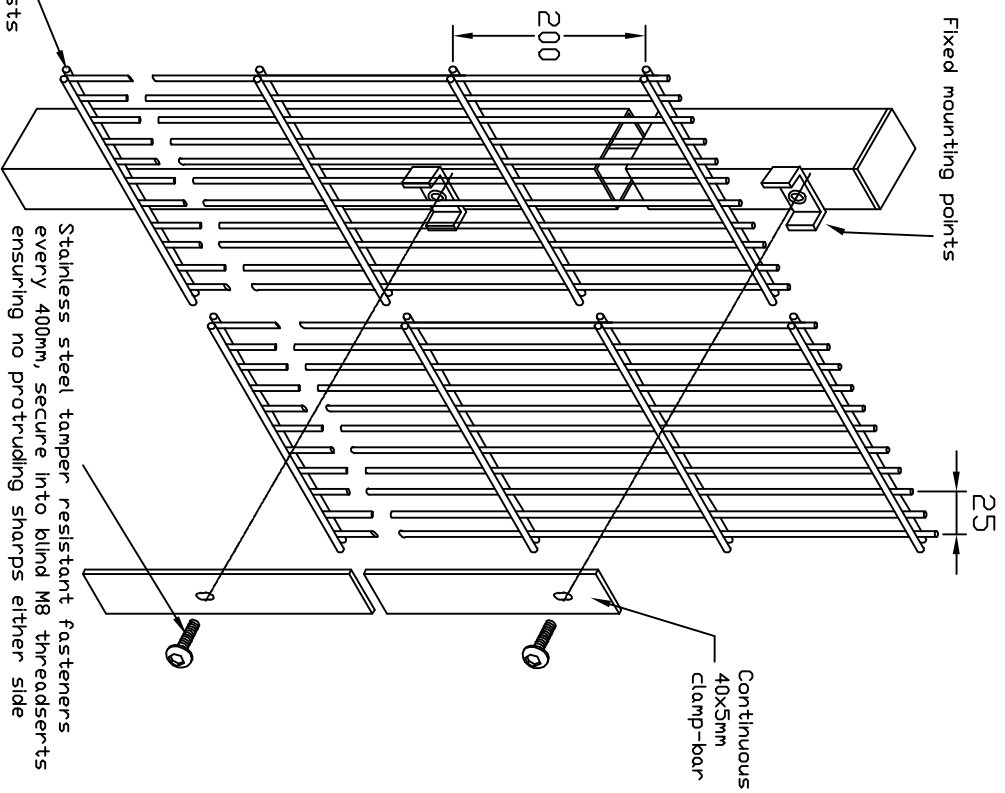
use square washers (in lieu of clamp-bars) for acute angles



PLAN DETAIL OF CORNERS



Each horizontal row consists of two 8mm wires, resistance welded at every intersection to 6mm verticals



© Zaun Limited 2004

Panels galvanised after welding to ensure maximum weld strength and corrosion resistance

Customer		www.zaun.co.uk	
Project / Site		Dual Guard	
Date		9/6/04	
Drawn By		PP	
Revision		ORG	
Drawing No.			
<p>Zaun Limited Wincor Industrial Estate Birmingham B7 4PK Tel: 0121 248 0777 Fax: 0121 248 0778</p>			
<p>FENCING ZAUN SYSTEMS</p>			